

EMERGENCY BUTTON

AE/V-PE

Description

Evacuation button designed for installation in emergency exits.

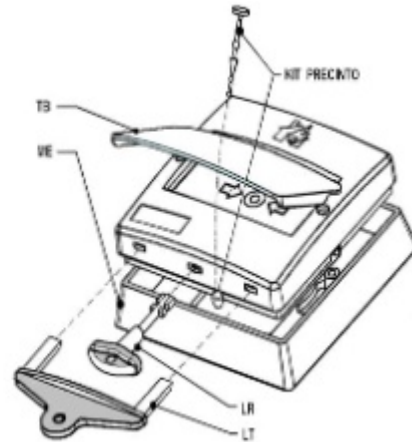
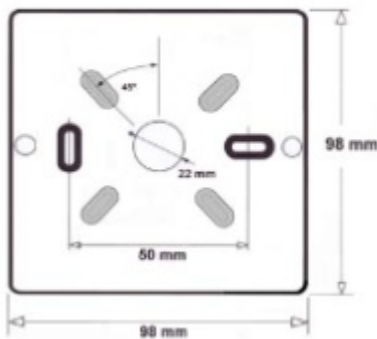
Green color. Indoor use.

Equipped with: Microswitch, checking system with reset key, transparent methacrylate protection cover, normally open NO, common C and normally closed NC contacts and calibrated plastic sheet so that it locks and does not break.

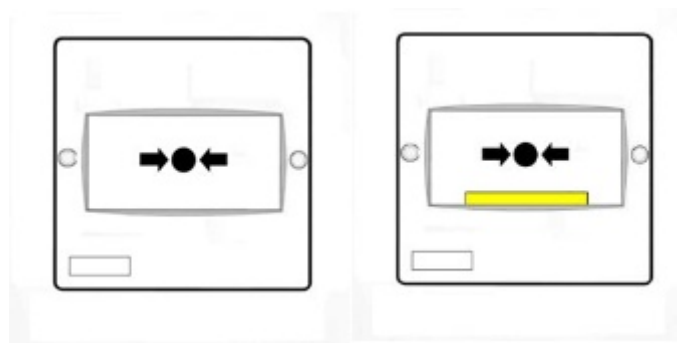
Located in 98X98X50 mm ABS case.



Dimensions



Activation



POSITION ACTIVATED

TECHNICAL CHARACTERISTICS

Class:	Type A - Indoor installation.
Dimensions:	98 x 98 x 48 mm
Contacts:	Normally open, common, normally closed.
Installation height:	1.2 - 1.5 m
Fixing screws:	2x (M3 x 35 mm)
Working temperature:	-10° to 50° C
Temp. of storage:	-10° to 50° C
Relative humidity max:	95% without condensation